

Features

- Five PCI Express® x1 slots
- One PCI Express® x16 Graphic slot / SDVO slot
- Legacy 32-bit PCI™ slots supported
- Dual-BIOS, single step execution
- LPC Multi I/O

Specifications

Form Factor

Core Module Interface	PICMG® COM Express™ Revision 1.0
	Supports Type 1 and Type 2 Basic Form Factor Modules
Dimensions	305 mm x 240 mm (AT/ATX)
Expansion Busses	One 32-bit PCI™ v2.3 slot
	Five PCI Express® x1 slots
	One PCIe x16 slot / SDVO slot
	LPC bus header

BIOS / Debug

POST LEDs	Onboard diagnostics for BIOS POST code data and address on LPC bus
	Allows single step BIOS execution
Secondary BIOS	Onboard socket for secondary LPC BIOS on carrier

Active Components

Audio	ALC880 High Definition Audio Codec
Super I/O	Winbond WF83627HG on LPC

Connectors

COM Express™	Two x 220-pin (type 2)
CRT	DB15 on Rear I/O panel for VGA/CRT displays
LVDS	Two onboard headers supporting dual channel LVDS
TV-out	8-pin header (extension cable included)
Audio	Mic/Line-in/Speakers on rear I/O panel, Mic/Line-in on header, SPDIF on header
PATA IDE	One 40-pin header
SATA IDE	Four SATA headers
Mini Express Card	One socket onboard
LAN	10/100/1000BaseT compatible RJ45 on rear I/O panel
USB 2.0	Four + two on rear I/O panel, two on header and one through Mini Express Card
Serial Port	One DB-9 on rear I/O panel, one header onboard
Parallel Port	One DB-25 on rear I/O panel
FDD	34-pin header
KB/Mouse	Two 6-pin mini DIN (on rear I/O panel)
Digital I/O	8-pin header

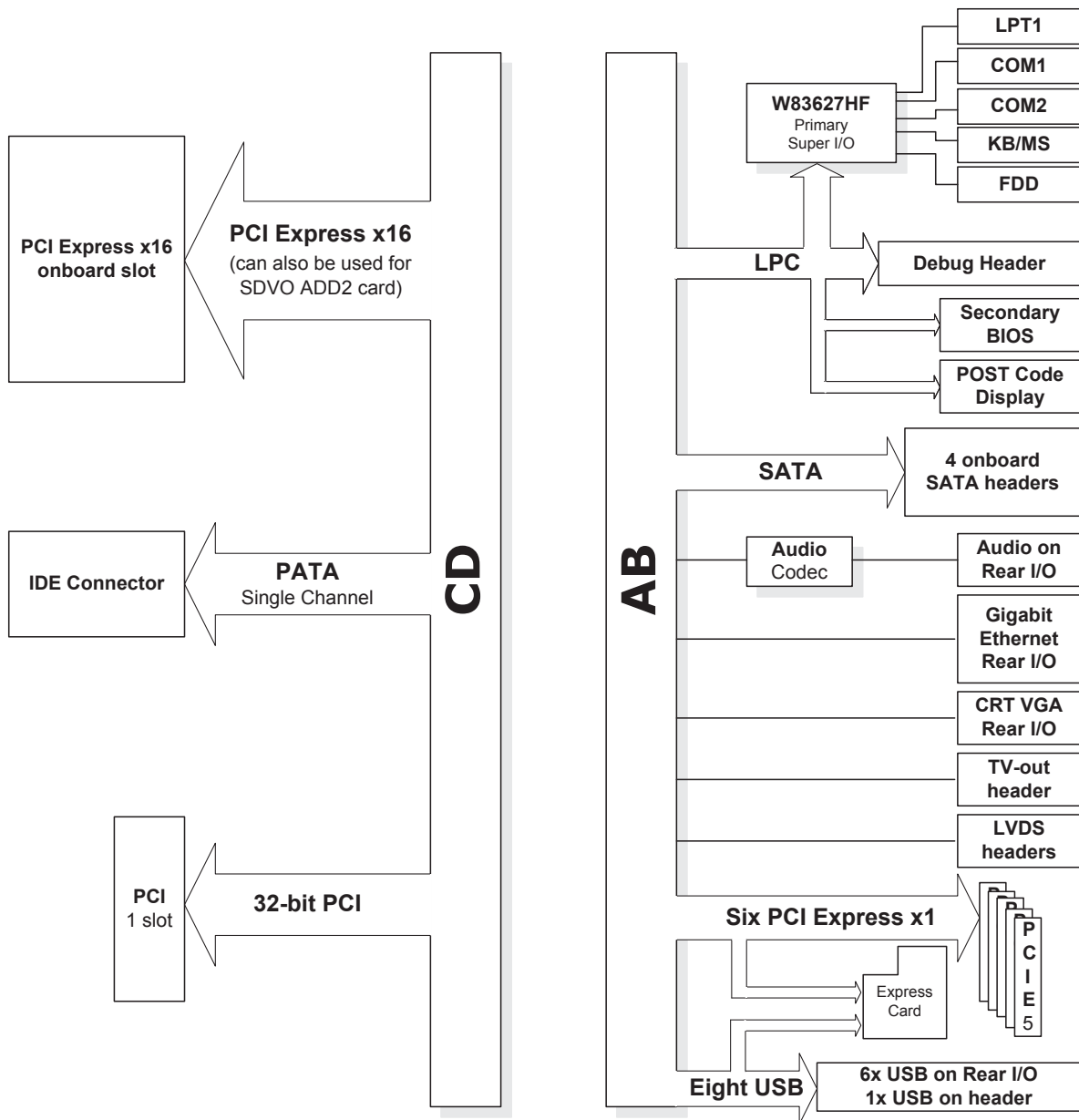
Power and Operation

Connectors	Standard ATX or single 12 V terminals
Switches	Onboard RESET and onboard ATX mini switch



Ask for availability

Functional Diagram



Ordering Information

Modules

Model Number	Description/Configuration
Express-BASE	COM Express™ Prototype Board with ATX form factor including cabling